

## DESCRIPTION

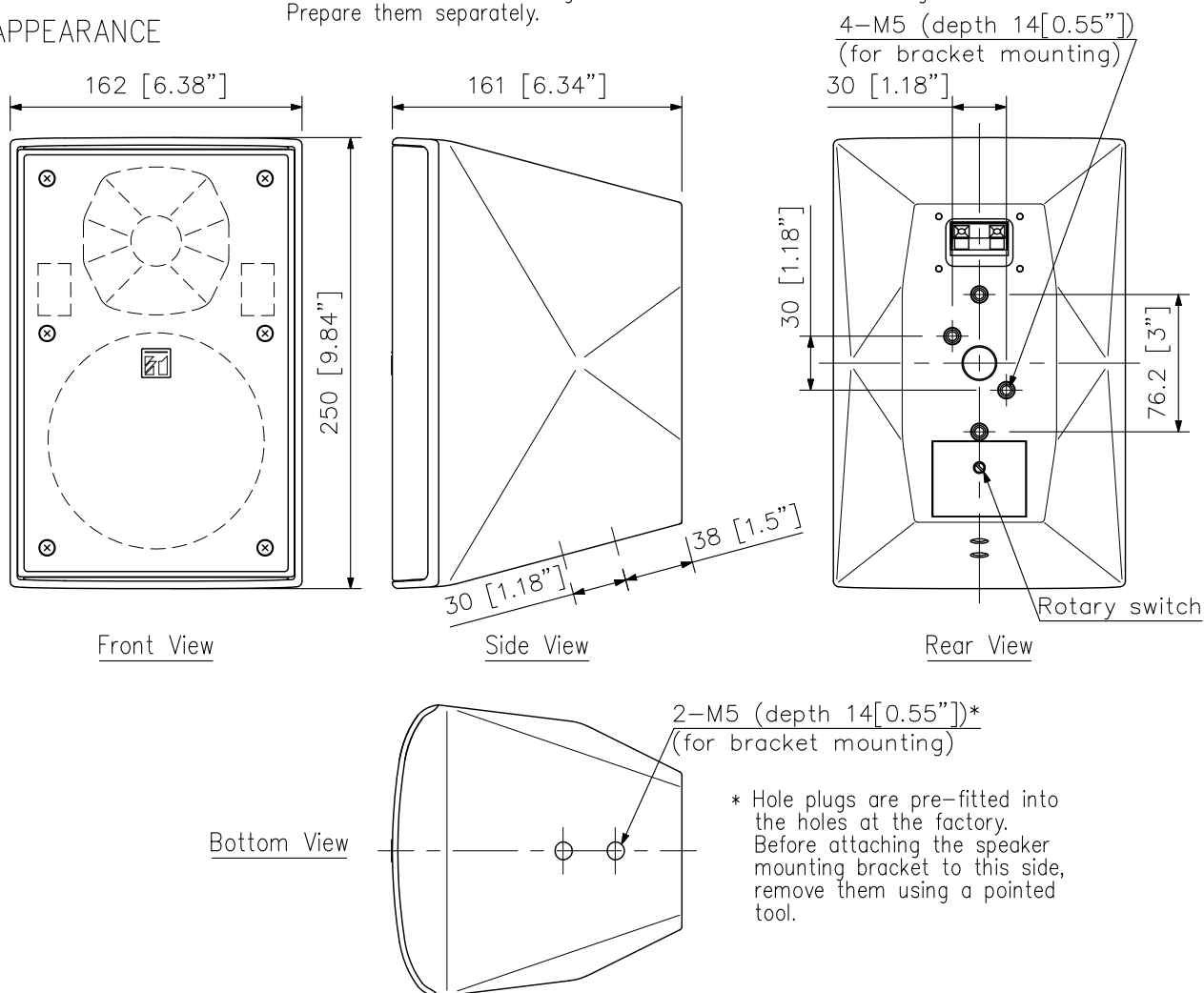
The F-1300 Series Speaker are compact two-way speaker systems designed for high efficiency, wide range, and high power input handling capability. These speaker systems can be installed in a manner ideal for the location and intended application.

## SPECIFICATIONS

Enclosure	Bass-reflex type
Rated Input	30 W (high impedance)
Power Handling Capacity	Continuos pink noise: 50 W (low impedance) Continuos program: 150 W (low impedance)
Rated Impedance	8 Ω 100 V line: 330 Ω (30 W), 1 kΩ (10 W), 3.3 kΩ (3 W), 10 kΩ (1 W) 70 V line: 170 Ω (30 W), 330 Ω (15 W), 1 kΩ (5 W), 3.3 kΩ (1.5 W), 10 kΩ (0.5 W)
Sensitivity	90 dB (1 W, 1 m) at installation in 1/2 free sound field
Frequency Response	80 Hz - 20 kHz, -10 dB at installation in 1/2 free sound field
Crossover Frequency	2 kHz
Directivity Angle	Horizontal: 110°, Vertical: 100°
Speaker Component	Low frequency: 13 cm (5") cone-type High frequency: 25 mm (1") dome tweeter
Input Terminal	Push-in terminal
Finish	Enclosure: HIPS, white Punched net: Surface-treated steel plate, white, paint Joint bracket, wall bracket: Steel plate, t1.6, white, paint Speaker bracket: Die-cast aluminum, white, paint
Dimensions	162 (W) X 250 (H) X 161 (D) mm (6.38" X 9.84" X 6.34")
Weight	3.6 kg (7.94 lb) (including the supplied brackets)
Accessory	Speaker bracket...1, Joint bracket...1, Wall bracket...1, Bracket fixing screw...1 set
Option	Board hanger bracket: HY-BH10B, Ceiling mount bracket: HY-CM10W (used for the horizontal speaker mounting), Cluster bracket: HY-CL10B, Speaker stand: ST-16A

Note: Bolts and nuts for mounting the bracket to the wall or ceiling are not included. Prepare them separately.

## APPEARANCE



UNIT:mm SCALE:1/4

**SPEAKER SYSTEM**

**F-1300WT**

**■ APPEARANCE**

